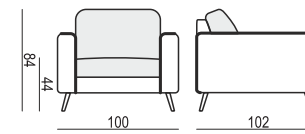
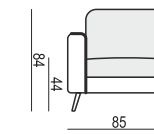




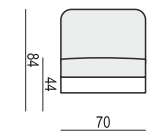
**ARMCHAIR**



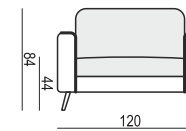
**ARMCHAIR LEFT (or RIGHT)**



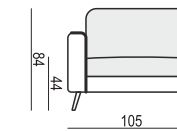
**ARMCHAIR without ARMRESTS**



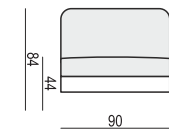
**ARMCHAIR WIDE**



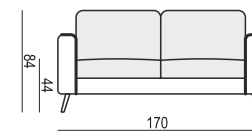
**ARMCHAIR WIDE LEFT (or RIGHT)**



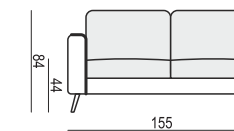
**ARMCHAIR WIDE without ARMRESTS**



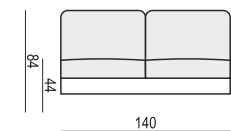
**2 SEATER**



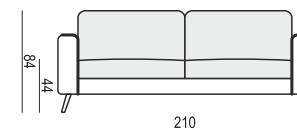
**2 SEATER LEFT (or RIGHT)**



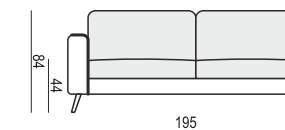
**2 SEATER without ARMRESTS**



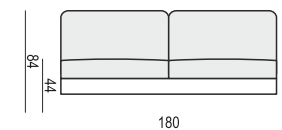
**3 SEATER**



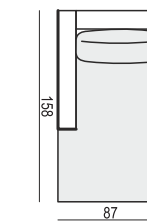
**3 SEATER LEFT (or RIGHT)**



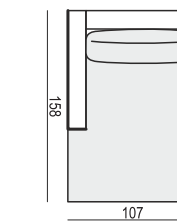
**3 SEATER without ARMRESTS**



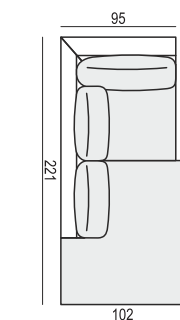
**CHAISELONGUE LEFT (or RIGHT)**



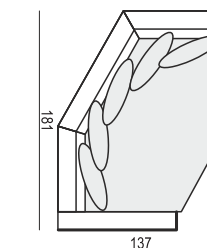
**CHAISELONGUE WIDE LEFT (or RIGHT)**



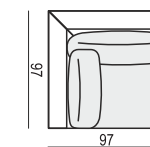
**DIVAN LEFT (or RIGHT)**



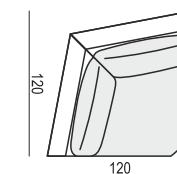
**COZY CORNER LEFT (or RIGHT)**



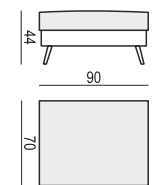
**CORNER 90° No.1**



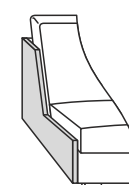
**CORNER 90° No.2**



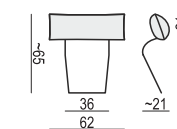
**FOOTSTOOL**



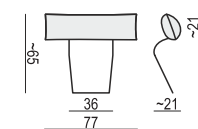
**ENDPART LEFT (or RIGHT)**  
cm 95 x 4 x 58 H



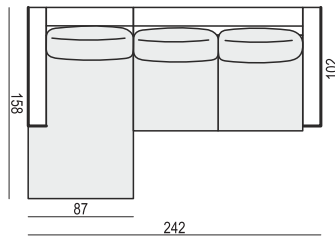
**HEADREST L-62**



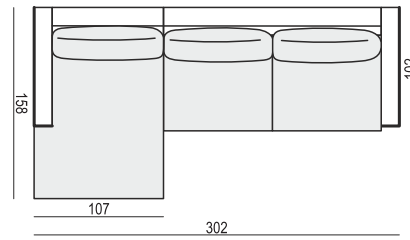
**HEADREST L-77**



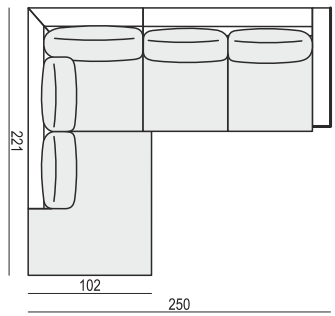
**SET 1 LEFT (or RIGHT)**  
CHAISELONGUE LEFT (or RIGHT)  
+ 2 SEATER RIGHT (or LEFT)



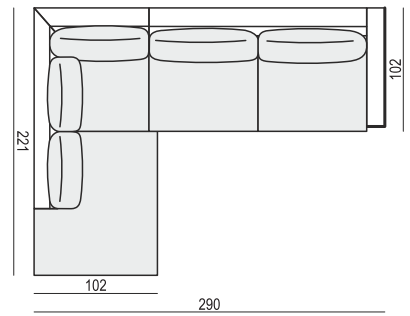
**SET 2 LEFT (or RIGHT)**  
CHAISELONGUE WIDE LEFT (or RIGHT)  
+ 3 SEATER RIGHT (or LEFT)



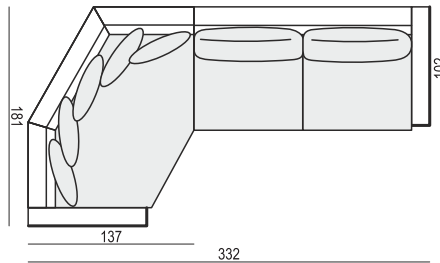
**SET 3 LEFT (or RIGHT)**  
DIVAN LEFT (or RIGHT)  
+ 2 SEATER RIGHT (or LEFT)



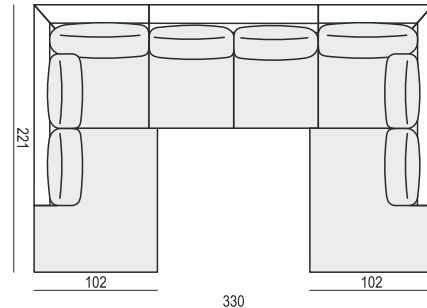
**SET 4 LEFT (or RIGHT)**  
DIVAN LEFT (or RIGHT)  
+ 3 SEATER RIGHT (or LEFT)



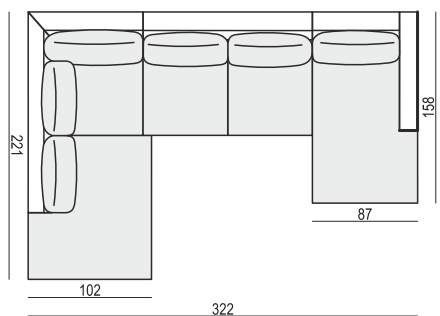
**SET 5 LEFT (or RIGHT)**  
COZY CORNER LEFT (or RIGHT)  
+ 3 SEATER RIGHT (or LEFT)



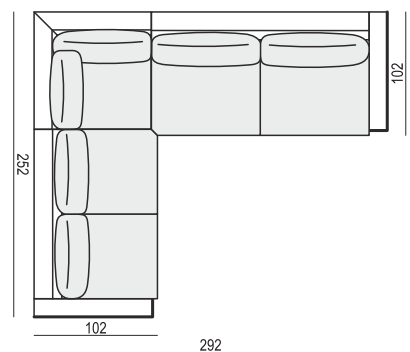
**SET 6**  
DIVAN LEFT+ 2 SEATER without ARMRESTS  
+ DIVAN RIGHT



**SET 7 LEFT (or RIGHT)**  
DIVAN LEFT (or RIGHT) + 2 SEATER without ARMRESTS  
+ CHAISELONGUE RIGHT (or LEFT)

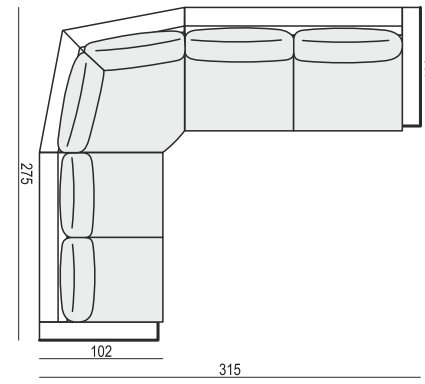


**SET 8 LEFT (or RIGHT)**  
2 SEATER LEFT (or RIGHT)  
+ CORNER 90° No.1 + 3 SEATER RIGHT (or LEFT)

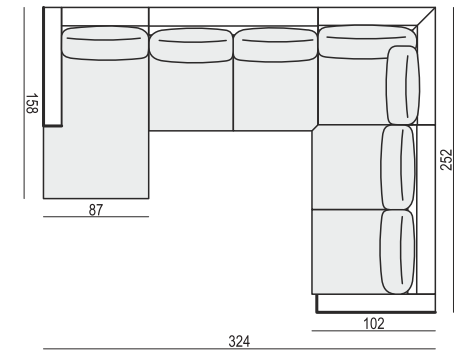


SITS reserves the right to change construction of products and components used due to improving durability of product and customer satisfaction without any further notice.  
Explicit ±2 cm tolerance of all elements sizes.

**SET 9 LEFT (or RIGHT)**  
2 SEATER LEFT (or RIGHT)  
+ CORNER 90° No.2 + 3 SEATER RIGHT (or LEFT)



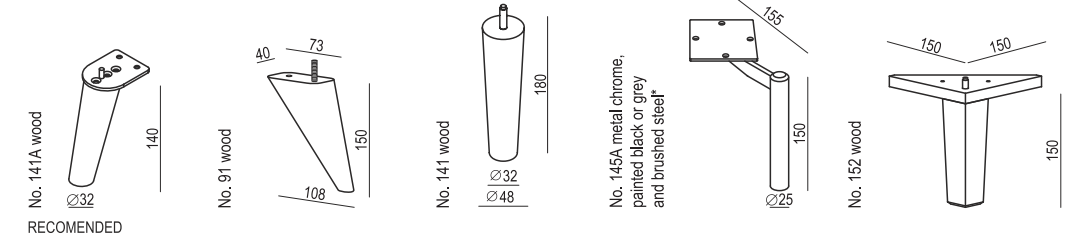
**SET 10 LEFT (or RIGHT)**  
CHAISELONGUE LEFT (or RIGHT) + 2 SEATER without ARMRESTS  
+ CORNER 90° No.1 + 2 SEATER RIGHT (or LEFT)



## UPHOLSTERY

**FABRIC: FC - fix cover or LCV - loose cover with velcro**

## FEET



\*please check a cost of brushed steel finish with a sale representative

## STANDARD COMFORT

1. polyurethane foam/ high resilient polyurethane foam
2. silicone balls
3. springs
4. FSC®certified solid wood and wood based elements
5. fabric
6. FSC®certified solid wood or metal legs

## LUX COMFORT

1. polyurethane foam/ high resilient polyurethane foam
2. cushion chamber with mix of feather and silicone balls
3. springs
4. FSC®certified solid wood and wood based elements
5. fabric
6. FSC®certified solid wood or metal legs